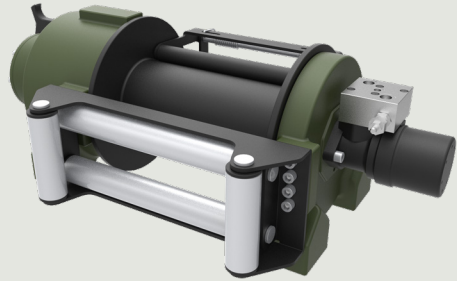




Description

Towing and recovery winch for commercial and service vehicles with a vertically positioned motor. This model has a rigid planetary gear, disc brake system and ductile iron body ready for challenging tasks. Different configurations are available upon request. Fully compliant with **EN 14492**. Additional equipment and accessories are available as well.



Specifications

Maximum Pulling Capacity	: 12000 kg / 26455 lbs
Maximum Rope Length	: 54 m / 177.1 ft
Recommended Wire Rope	: Ø16 mm / Ø5/8"
Hydraulic Motor	: 200 cc / 12 in ³
Maximum Pump Flow Rate	: 60 l/min / 15.8 gal/min
Max Working Pressure	: 175 bar / 2537 psi
Weight	: 185 kg / 407.85 lbs

Additional Equipment

Standard package:

- Rope
- Roller fairlead
- Pressure roller
- Pneumatic freespool
- Hydraulic inlet G 1/2"

Optional:

- Radio control system
- ECU & IQAN equipment
- M16 mounting bolts
- Hydraulic control valve with manual lever

Line Pull and Line Speed Performance

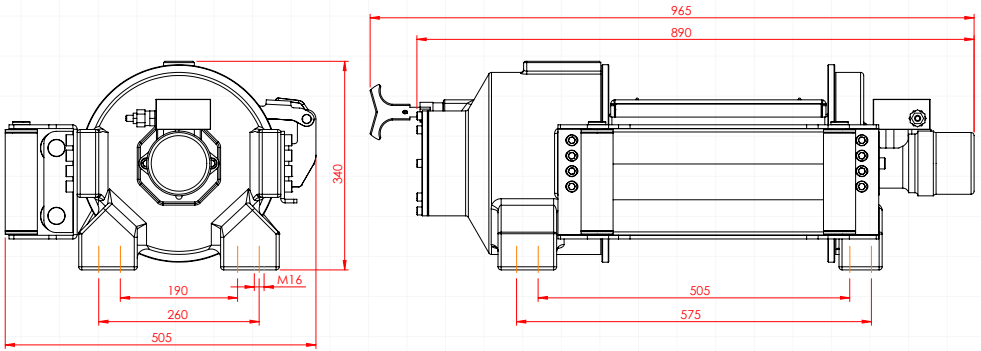
Winding layer	Pulling capacity (kg / lbs)	Rope speed (m/min - ft/min)	Rope length (m/ft)
1	12000 / 26455	5.6 / 18.4	10.5 / 34.4
2	9988 / 22020	6.7 / 22.1	23.1 / 75.7
3	8554 / 18858	7.8 / 25.8	37.8 / 123.9
4	7480 / 16490	9 / 29.5	54.6 / 179



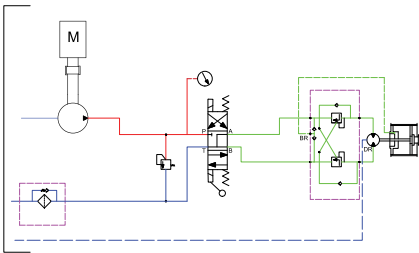
These winches should not be used for lifting and there should be at least 5 wraps of wire rope on the drum. The data shown are for maximum pressure and maximum flow and should be used as a reference only.

PULLFORCE reserves the right to change the specified data without prior notice.

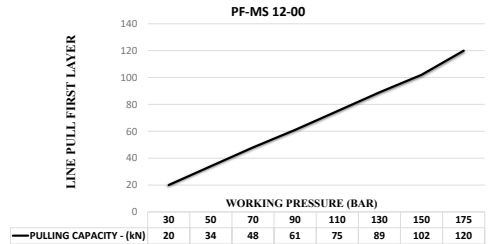
Dimensions



Hydraulic Circuit



Hydraulic Performance



Features

- Gear reduction : 28 : 1
- Gear type : Two stage planetary
- Winch construction : Ductile iron body reinforced with heat-treatment
- Braking : Negative hydraulic disc brake system
- Drum rotation : Clockwise, or counter clockwise rotation as required
- Roller guides : Commercial type with large diameter rollers and grease ways
- Free spooling : Standard pneumatic freespool. Optional pneumatic freespool
- Control valve : The direction control valves to be used must be A, B, and T. The A and B lines must be open to the T (Tank) line.

Application Areas



Towing and Recovery Vehicles



Heavy Tow Trucks



Agricultural and Forestry Vehicles



Military Vehicles



Trailers



Each new winch is guaranteed against defects in workmanship and material defects for a period of 24 months from date of purchase. Wire ropes are not included under warranty.